

basiScan

Compact Optical Parametric Oscillator



Compact, rugged, general purpose BBO-OPO with manual tuning

Features and Benefits

- Simple and reliable design
- Adaptable to most commercial Nd:YAG pump lasers
- Easy tuning with micrometer screw
- Minimum number of optical components
- Ideal for education and basic applications requiring variable wavelength

Broadband OPO Model	basiScan /120	basiScan /170	basiScan /240
Pump Pulse Energy @ 355 nm	up to 120 mJ	up to 170 mJ	up to 240 mJ
Pulse Energy Signal Wave, Max.	24 mJ	34 mJ	48 mJ
Total Pulse Energy Signal+Idler Together, Max.	42 mJ	59 mJ	84 mJ
Linewidth (1)	10 - 450 cm^{-1}		
OPO - Pulse Duration	0-3 ns shorter than pump pulse		
Repetition Rate (2)	0 - 100 Hz		
Tuning Range Signal	410 - 709 nm		
Tuning Range Idler	710 - 2500 nm		

(1) Depends on pump pulse duration and wavelength

(2) Same repetition rate as pump laser, performance at repetition rates above 20 Hz on request

basiScan

Compact Optical Parametric Oscillator

The basiScan OPO is designed to work with most pulsed Nd:YAG lasers operating at 3rd harmonic (355nm). basiScan has been distilled to the basic components. The result is a simple and rugged OPO with manual wavelength control by a micrometer screw. Ideal for education and applications requiring only occasional wavelength tuning. The basic BBO-OPO!

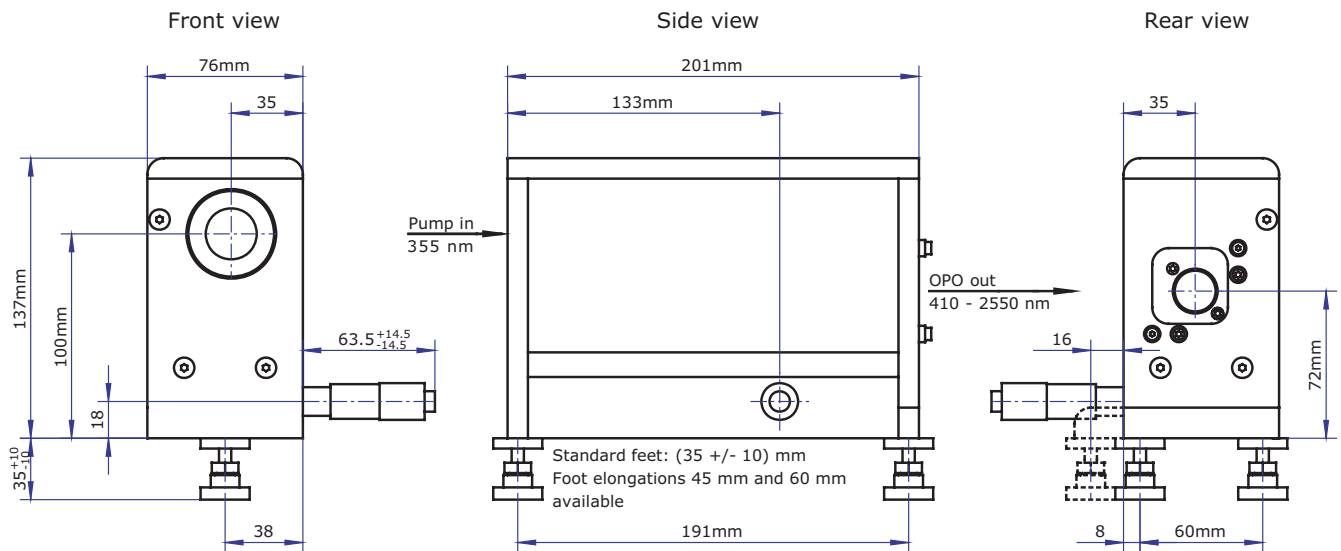
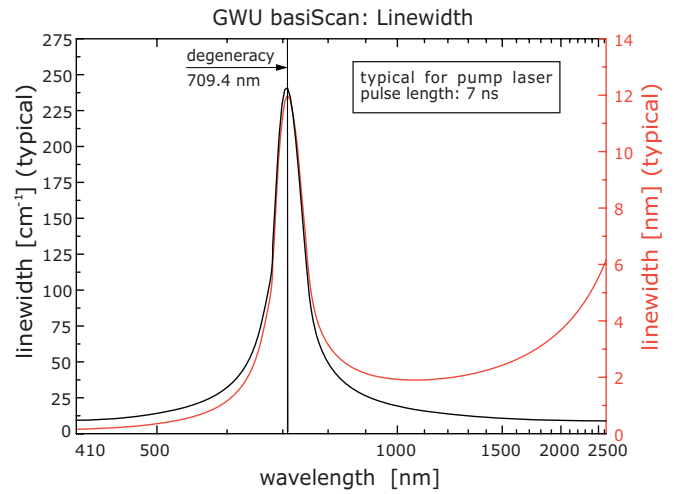
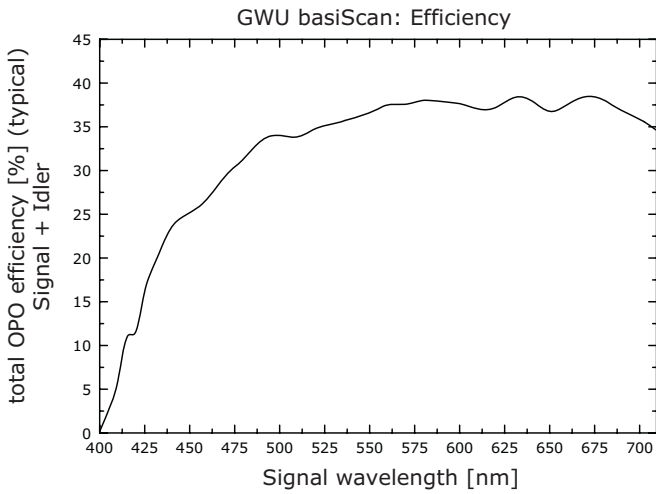
Pumplaser Requirements	
Pump Wavelength	355 nm
Pump Energy	50 - 240 mJ/pulse @ 355 nm
Pulse Width	3.5 - 10 ns @ 355 nm
Repetition Rate	1 - 100 Hz
Spatial Beam Profile	homogeneous
Divergence	< 0.5 mrad, > 0.5 mrad on request

Notes:

All specifications depend on pump laser specifications and performance. Please contact factory or your sales representative for details. All specifications subject to change without notice.

Mechanical		
Size (OPO Body Only)	(L x W x H)	201 mm x 76 mm x 137 mm
Weight		3.1 kg

Dimensions with feet, micrometer screw, and other protruding elements please refer to dimensional drawing



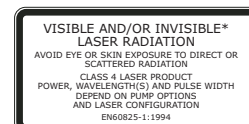
GWU-Lasertechnik Vertriebsges. mbH

Talstr. 3
50374 Erftstadt
Germany

Fon +49 . (0)22 35 . 9 55 22-0
Fax +49 . (0)22 35 . 7 56 32

info@gwu-group.de
www.gwu-group.de

08/2005



001