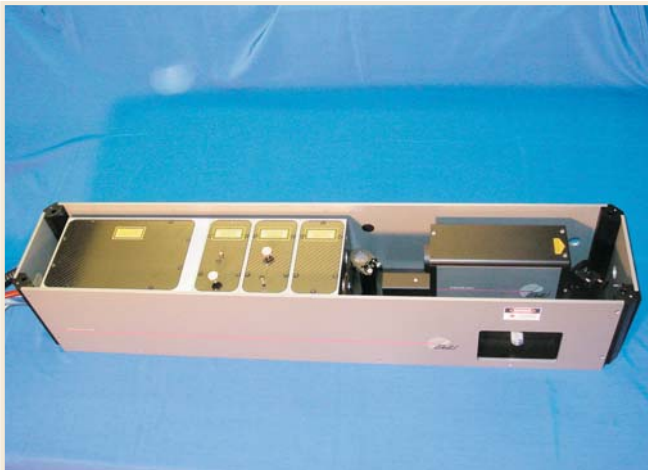


# spitScan 200

## Compact Nd:YAG Laser / OPO System



Compact, rugged, general purpose BBO-OPO / Nd:YAG laser system

### Features and Benefits

- Simple and reliable design
- Fully integrated Nd:YAG laser head / OPO
- Easy tuning with micrometer screw
- Minimum number of optical components
- Access to direct laser lines
- Ideal for education and basic applications requiring variable wavelengths

Integrated Broadband OPO / Nd:YAG Laser System	spitScan 200
Pump Pulse Energy @ 355 nm	up to 60 mJ
Pulse Energy Signal Wave, Max.	12 mJ
Total Pulse Energy Signal+Idler Together, Max.	20 mJ
Linewidth (1)	10 - 450 $\text{cm}^{-1}$
OPO - Pulse Duration	2-4 ns
Repetition Rate (2)	up to 20 Hz
Tuning Range Signal	410 - 709 nm
Tuning Range Idler	710 - 2500 nm
Optional Nd:YAG Laser Output	
1064 nm	220 mJ @ 10 Hz rep rate / 200 mJ @ 20Hz rep rate
532 nm	110 mJ @ 10 Hz rep rate / 90 mJ @ 20Hz rep rate
355 nm	60 mJ @ 10 Hz rep rate / 50 mJ @ 20Hz rep rate
(1) Depends on wavelength	please specify nominal pulse repetition rate with order (10 or 20 Hz)
(2) Repetition rate as pump laser	

### spitScan 200 Compact Tunable Laser System

The spitScan 200 laser / OPO accommodates Innolas' SpitLight 200 with GWU's basiScan OPO. The system outputs both: tunable OPO radiation over the visible and near infrared range and the radiation of the Nd:YAG laser if needed. Wavelength is simply tuned by a micrometer screw. Ideal for education and applications requiring variable wavelengths.

#### Innolas and GWU-Lasertechnik:

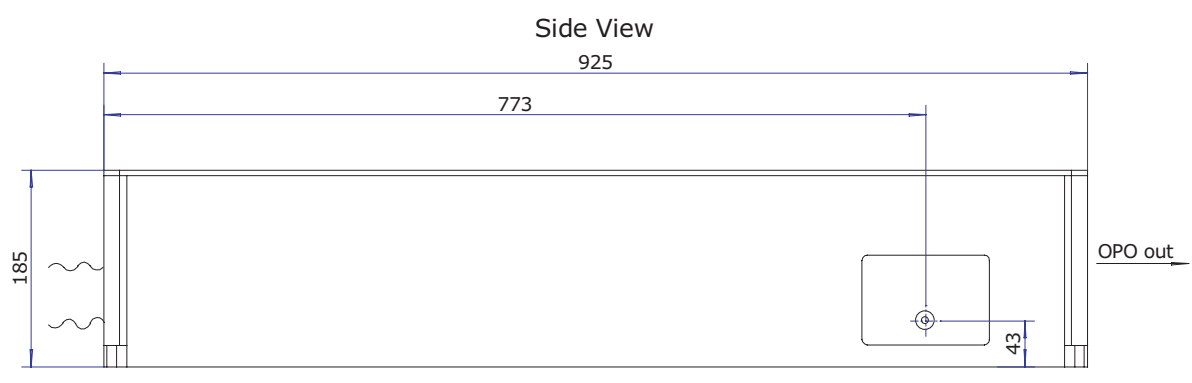
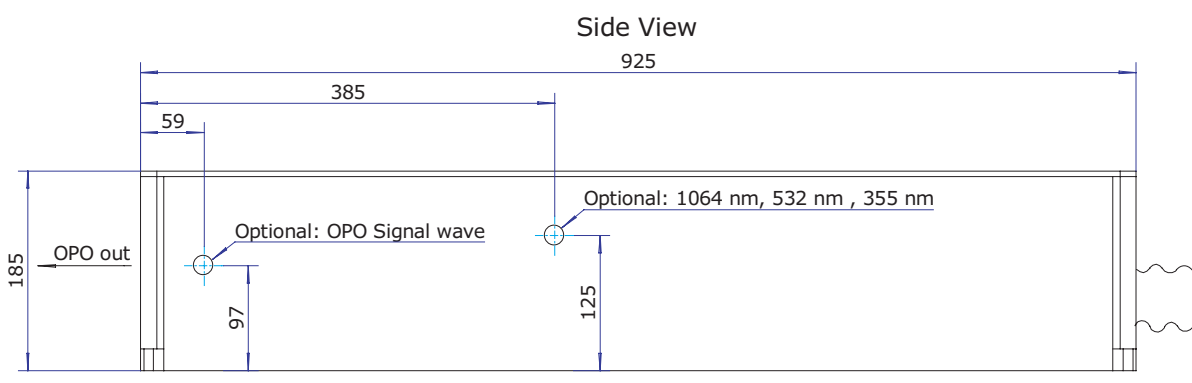
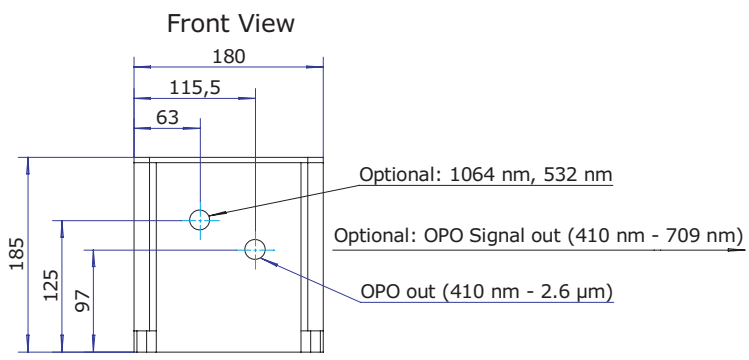
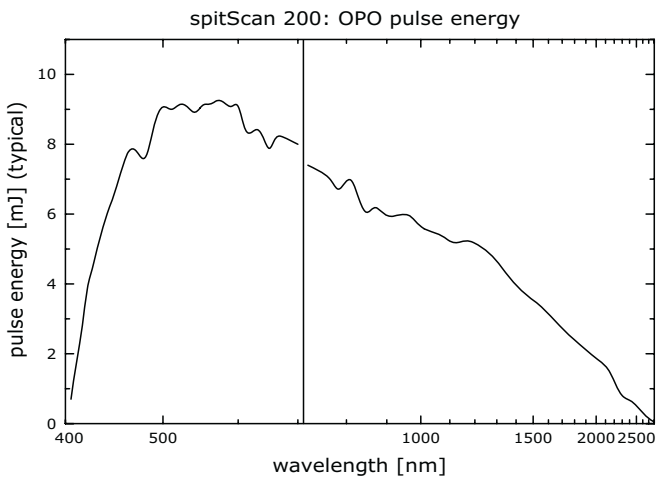
Innolas, one of the most innovative manufacturers of pulsed Nd:YAG lasers, and GWU-Lasertechnik, the pioneers in BBO-OPOs introducing the first commercial BBO-OPO worldwide back in 1989, have commonly developed this integrated OPO laser system. Customers have one stop for all sales and service related issues - 2 strong partners for one strong solution for tunable lasers. Innolas and GWU-Lasertechnik offer a variety of integrated OPO laser systems, including fully automated frequency doubled systems in one box even for outdoor use. Ask for an individual proposal!

#### Notes:

All specifications depend on operation conditions. Please contact factory or your sales representative for details. All specifications subject to change without notice.

Mechanical		
Size (Laser/OPO Head Only)	(L x W x H)	925 mm x 180 mm x 185 mm
Weight		33.2 kg

Dimensions and weight without umbilical and cabling, power supply weight and dimensions on request



GWU-Lasertechnik Vertriebsges. mbH

Talstr. 3  
50374 Erftstadt  
Germany

Fon +49 . (0)22 35 . 9 55 22-0  
Fax +49 . (0) 22 35 . 7 56 32

info@gwu-group.de  
www.gwu-group.de

06/2007

VISIBLE AND/OR INVISIBLE\*  
LASER RADIATION  
AVOID EYE OR SKIN EXPOSURE TO DIRECT OR  
SCATTERED RADIATION.  
\*SEE MANUAL  
CLASS 4 LASER PRODUCT  
POWER, WAVELENGTH(S) AND PULSE WIDTH  
DEPEND ON PUMP OPTIONS  
AND LASER CONFIGURATION  
EN60825-1:1994