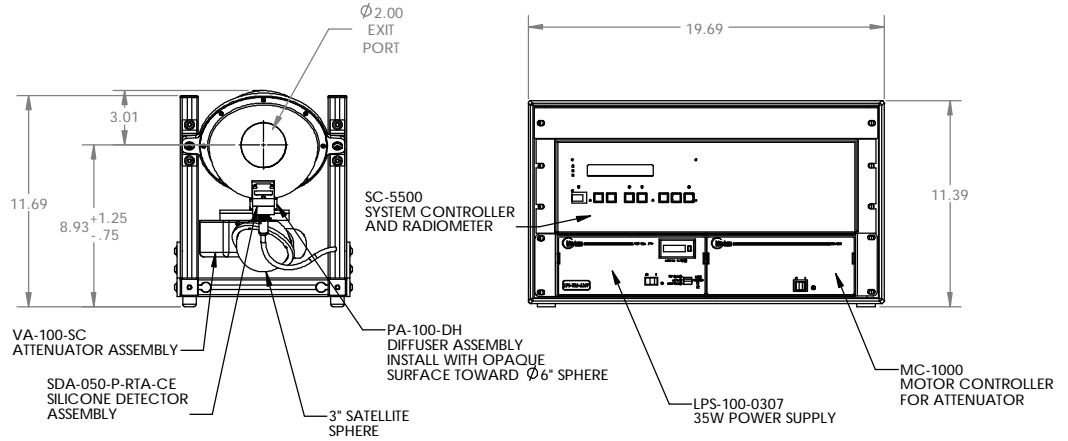
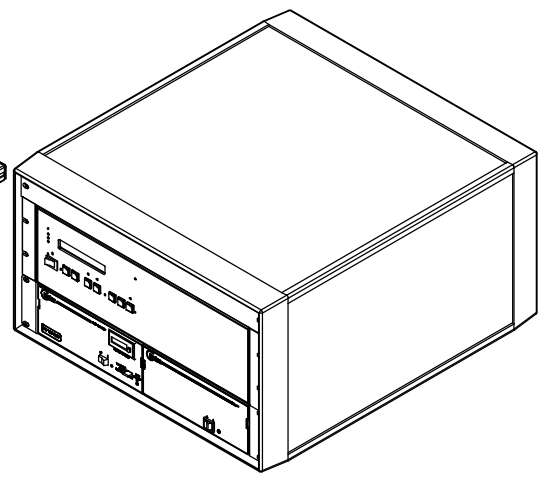
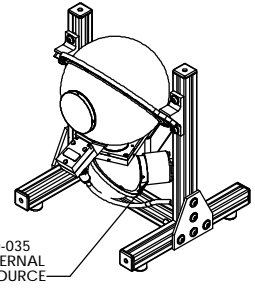
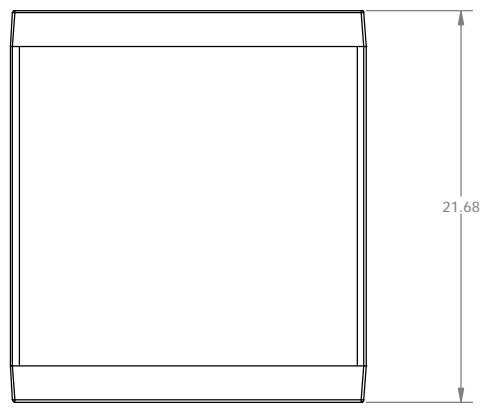
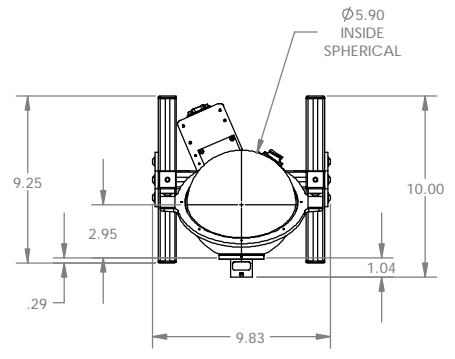


8 7 6 5 4 3 2 1

NOTE:

- 1 - UNLESS OTHERWISE SPECIFIED DIMENSIONS LISTED AS INCHES. DIMENSIONS SUBJECT TO CHANGE WITHOUT NOTICE.
- 2 - CABLE (10 FEET LONG) FROM LIGHT SOURCE TO LPS-100 NOT SHOWN BUT INCLUDED WITH SYSTEM. TRIAX CABLE (15 FEET LONG) FROM SC-5500 TO SDA-050-P-RTA-CE NOT SHOWN BUT INCLUDED WITH SYSTEM. CABLE (10 FEET LONG) FROM VA TO MC-1000 NOT SHOWN BUT INCLUDED WITH SYSTEM.



UNLESS OTHERWISE SPECIFIED DIMENSIONS ARE IN INCHES. TOLERANCES ARE: FRACTIONS DECIMALS ANGLES		THE INFORMATION CONTAINED IN THIS DRAWING IS THE SOLE PROPERTY OF IDEASPHYS, INC. ANY REPRODUCTION IN PART OR IN WHOLE WITHOUT THE WRITTEN PERMISSION OF IDEASPHYS, INC. IS PROHIBITED.	
±1/64 XX = ±0.01 XXX = ±0.005		PO BOX 70, NORTH SUTTON, NH 03260	
CAD GENERATED DRAWING. DO NOT MANUALLY EDIT.		US-600C SPHERE ASSY (MOD)	
MATERIAL: --		APPROVALS	DATE
FINISH: --		C. SHAFFER	1/13/2005
DO NOT SCALE DRAWING		CHECKED/APPROVED	R. MURRAY
SIZE	C	SCALE	1:5
DWG. NO.	AS-02451-300 CUD		REV
		1	
		SHEET 1 OF 1	